



*filmo ki bhook badaye*

**Shree Krishna**

Food Equipment & Supplies Pvt. Ltd.

## - History -

### *The Early 1990s*

That's where our story starts, in a humble 200 square foot office.

### *Fast Forward to 1997*

Imported US Corn for Popcorn was first introduced by us to cinemas across India.

### *Years later...*

Popcorn got a CRUNCHY upgrade! We introduced international, rich flavours, seasoning and top-notch popcorn poppers and warmers from C. Cretors.

### *Present*

We popcorn-ed our way from kernels to a diverse kingdom, offering world class popcorn packaging like paper buckets & paper tubs, trays, flavours and everything in between!

## - Mission -

To provide high-quality, innovative food equipment and supplies, giving our end-users the best experience while prioritising eco-sensibility and contributing to a greener future.

## - Vision -

To be a responsible industry leader in sustainable packaging, food equipment, and products, contributing positively to health, entertainment, and the environment through innovation and eco-friendly practices.

## - Company Info -

We're committed to freeing nature from plastic waste, with millions of tons generated annually and over 90% unrecycled.



## - Verticals -



**100%**  
Compostable  
Paper  
Packaging



**Popcorn**  
Poppers  
And  
Warmers



**Instant**  
Pop-corn  
Pre-mixes &  
Flavours

## - Allied Services and Accessories -

Caddy Trays

Service Trays

Popcorn KIOSK  
Franchise

Popcorn KIOSK  
Setup

Cinema Concession  
Setup

# Packaging

**100%**  
**Compostable**  
**100%**  
**Plastic-Free**

**PAPER PACKAGING**



Scan for more

As pioneers of 100% compostable paper packaging in India, we design eco-friendly products using sustainable materials to minimise environmental impact, available at QSRs and malls.







## Paper Tubs and Buckets

Available in - 32oz, 46oz, 50oz, 65oz, 75oz, 85oz, 130oz, 170oz

## Food Container

Available in - 300ml, 400ml, 500ml, 1000ml, 1250 ml



## Food Boxes

Available in sizes - 500ml, 700ml, 1600ml, 2100ml



## Paper Boat Trays

Available in various sizes



## Noodle Box

Available in various sizes



# Instant Popcorn PRE-MIXES And FLAVOURS



Scan for more

Discover our Instant Popcorn Pre-Mixes and Flavours in India, offering healthy, crunchy popcorn available in both institutional and retail packs.



# Instant Popcorn PRE-MIXES



350 gms

Retail packs available in 40gm, 70gms, 150gms

## FLAVOURS



Available in flavours: Classic Butter, Cheese, Salt,  
Peri Peri, Tomato, Chaat, Caramel



# Machines

## Popcorn

# POPPERS

## And

# WARMERS



Scan for more

Our range of premium popcorn poppers, warmers, and trolleys, available in different sizes, are designed for unwavering stability and consistent performance. Ensuring a smooth and satisfying customer experience is a priority, and we intend to uphold that!



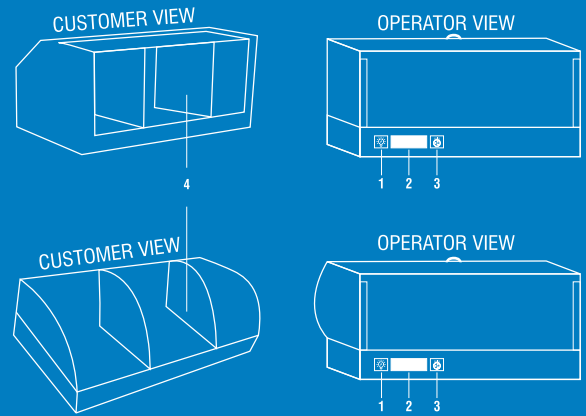


# Warmer

## TECHNICAL SPECIFICATION

Sr.	Technical Parameters	Specifications
1	Model	CinePOP CURVE / FLAT - 24" / 30" / 36"
<b>Product Specification 24"</b>		
1	Dimensions (WxDxH) in MM	610 x 720 x 690
2	Net Weight	48 Kg
<b>Product Specification 30"</b>		
1	Dimensions (WxDxH) in MM	762 x 720 x 690
2	Net Weight	54 Kg
<b>Product Specification 36"</b>		
1	Dimensions (WxDxH) in MM	914 x 720 x 690
2	Net Weight	60 Kg
<b>Product Specification 36"</b>		
1	Dimensions (WxDxH) in MM	30" / 36" - 3900 watts (Max.) 24" - 2800 watts (Max.)
2	Power Supply	230V AC/50 Hz
<b>Accessories</b>		
1	Stainless Steel Scoop	2 PC

\*Technical Specifications are subject to change without prior notice.



1. LIGHT 2. THERMOSTAT 3. WARMER 4. DIVIDER

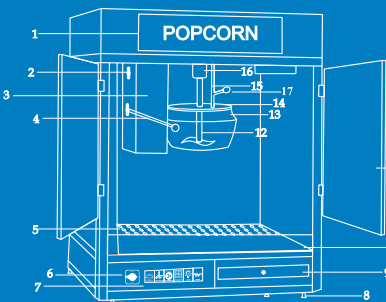


# Corn Popping Machine

## TECHNICAL SPECIFICATION

Sr.	Technical Parameters	Specifications
1	Model	CinePOP I/II/III WorkHorse/NextGen
<b>Product Specification</b>		
1	Dimensions (WxDxH) in MM	780 x 750 x 1070
2	Net Weight	32 Oz - 98 Kg / 16 Oz - 92 Kg
<b>Electrical Specification</b>		
1	Power Rating	32 Oz - 3900 watts (Max.) 16 Oz - 2800 watts (Max.)
2	Power Supply	230V AC / 50 Hz
<b>Recommended Input Parameters</b>		
1	Dried Corn Kernels	Mfr. Recommended
2	Salt / Caramel Powder	Mfr. Recommended
2	Edible Oil	Mfr. Recommended
<b>Accessories</b>		
1	Stainless Steel Scoop	1 PC
2	Kettle Cleaner	1 PC

\*Technical Specifications are subject to change without prior notice.



1. DISPLAY
2. THERMOSTAT
3. DUMPER
4. DUMPER ROD
5. HOT AIR BLOWER
6. ROTARY SWITCH
7. SWITCHES
8. LEGS / WHEELS / BOLTS
9. WASTE TRAY
10. POP CORN HOLDER
11. DOOR
12. KETTLE
13. KETTLE LID
14. OIL PIPE
15. MOTOR
16. KETTLE LID KNOB
17. KETTLE LID KNOB





# Clientele



आपका विश्वास ही हमारी पहचान







## Contact Us



*Email*

skfespl@gmail.com



*Contact Number*

+91 99206 69956

+91 98673 55556



Our Address



Follow Us